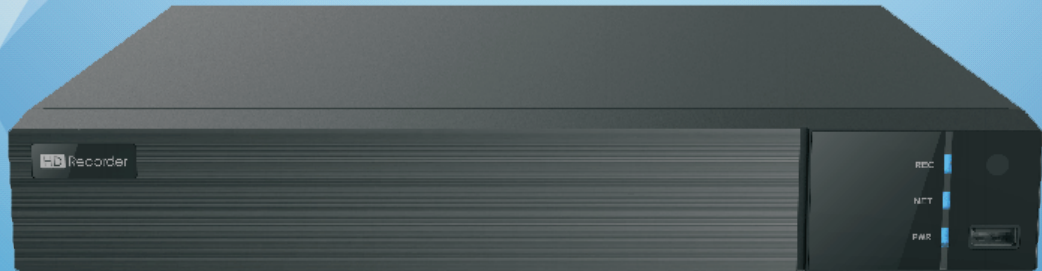


NVR

4/8 CH NVR

8MP/6MP/5MP/4MP/3MP/1080P/720P HD NVR



TD-3100B1H



TD-3100B1H series supports 4/8 CH 8MP/6MP/5MP/4MP/3MP/1080P/1280×1024/960P/720P high definition IP video input, which adopts the most advanced SOC technique to ensure high definition recording in each channel and realize outstanding robustness of the system.

TD-3100B1H series supports 4/8 CH IP input, simultaneous 4/8 CH playback, and 4K ultra high definition display. The series of product can meet different security requirements of home, financial, commerce, enterprise, transportation and government, etc.



en.tvt.net.cn

For more information, please visit our website

Shenzhen TVT DIGITAL TECHNOLOGY CO., LTD.

Address: 23rd Floor, Block B4, Building NO.9, Shenzhen Bay Eco-Technology Park, Nanshan District, Shenzhen, Guangdong Province, P.R.China

Tel: +86-755-36995888

Web site: <http://en.tvt.net.cn>

Fax: +86-755-33104777

E-mail: overseas@tvt.net.cn

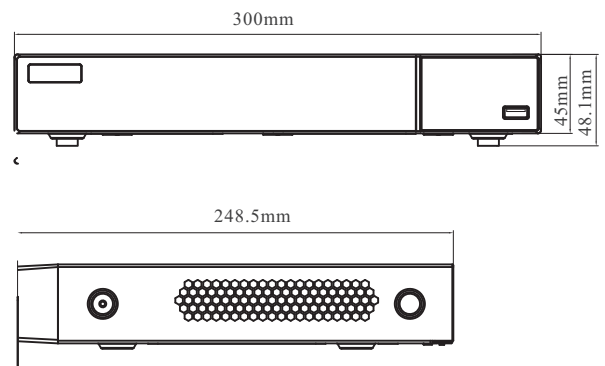
Specifications

Model		TD-3104B1H	TD-3108B1H
System	OS	Embedded Linux	
Video	Network Input	4 CH IPC input	8 CH IPC input
	Network Input Resolution	8MP/6MP/5MP/4MP/3MP/1080P/1280×1024/960P/720P/960H/D1/CIF	
	Output	HDMI × 1 : 3840 × 2160 / 1920 × 1080 / 1280 × 1024/ 1024 × 768 VGA: 1920 × 1080 / 1280 × 1024/ 1024 × 768	
	Compression	H.265S / H.265+ / H.265 / H.264	
Audio	Network Input	4 CH IPC audio input	8 CH IPC audio input
	2-way Audio	RCA × 1	
	Local Output	RCA × 1	
	Compression	G.711(U/A)	
Record	Record Stream	Dual stream recording	
	Resolution	8MP/6MP/5MP/4MP/3MP/1080P/1280×1024/960P/720P/960H/D1/CIF	
	Frame Rate	NTSC:30fps; PAL:25fps	
Playback	Simultaneous Playback	Max. 4 CH	Max. 8 CH
	Search	Time slice / time / event / tag search	
	Smart Search	Highlighted color to display the camera record in a certain period of time, different colors refers to different record events	
	Function	Play, pause, FF, FB, digital zoom, etc.	
Decoding Capability	Live View/ Playback	1CH 8MP; 4CH 1080P	
Alarm	Mode	Manual, sensor, motion, exception, smart events	
	Input	Support IPC alarm input	
	Output	Support IPC alarm output	
	Triggering	Record, snap, preset, e-mail, etc.	
Network	Interface	RJ 45 1000Mbps × 1	
	Protocol	TCP / IP, PPPoE, DHCP, DNS, DDNS, UPnP, NTP, SMTP, HTTP, HTTPS, 802.1x, SNMP, RTSP, ONVIF, etc.	
	Incoming/ Outgoing Bandwidth	40/40 (Mbps)	80/80 (Mbps)
	Client Connection	Max. 10 users access	
LPR	Plate Recognition	Yes	
Mobile Device	OS	iOS, Android	
Storage	HDD Interface	SATA3.0 × 1, max 8T	
Backup	Local Backup	U disk, USB mobile HDD	
	Network Backup	Yes	
Port	USB	USB 2.0 × 2	
	Remote Controller	Optional	
Others	Power Supply	DC 12V/1.5A	
	Consumption	≤ 10W (without HDD)	
	Dimensions (mm)	300 × 249 × 45 (W × D × H)	
	Working Environment	-10 ~ 50°C, 10% ~ 90% humidity	
	Certificate	CE, FCC	
Environmental Protection		Complies with Directive EU RoHS, REACH and WEEE	

Features

- Support 4/8 CH 8MP/6MP/5MP/4MP/3MP/1080P/1280×1024/960P/720P/960H/D1/CIF IP input
- H.265S/ H.265+ / H.265/ H.264 coding
- Intuitive and user-friendly Graphic User Interface (GUI), Windows style operation by mouse
- Multi-mode recording: manual / timer / motion / sensor/smart events
- Playback : 4 /8CH simultaneous playback
- Search : time slice, time, event, tag, smart search
- Support multiple VCA (Video Content Analytics) events, such as object abandoned/missing, region intrusion, tripwire, video exception, etc.
- Support POS information overlay on live view and playback
- Express and flexible backup via USB, network and so on
- Pentaplex : preview, record, playback, backup and remote access
- DHCP, DDNS, PPPoE network protocol
- Remote control via Web Client or CMS : preview, playback, backup, PTZ and configuration
- Dual stream technology for local storage with high definition, remote network transmission and remote surveillance with mobile device
- Authorization management, log view and device status view
- 4K output, true high resolution display
- Support NAT function and QRCode scanning by mobile phones
- Powerful mobile surveillance by smart phones with iOS and Android OS

Dimensions



Rear Panel

